

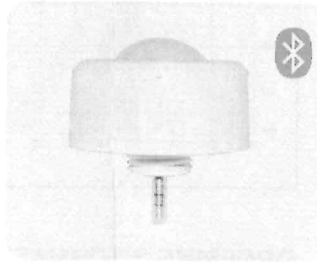
# Bluetooth Passive Infrared Fixture sensor

works with westgate smart



## SPECIFICATION

The WESTGATE Bluetooth Passive Infrared sensor is designed for outdoor applications. Integrated sensors capture data that is both processed locally and transmitted over the WESTGATE network, enabling a full suite of applications. In addition, the sensor supports Bluetooth® Low Energy communication with tags and other BLE devices.



## OVERVIEW

The Bluetooth Passive Infrared sensor is a complete sensing and lighting control node powered from its attached light fixture. Sensor information combined with a configurable behavior profile makes the fixture Sensor an integral component of an intelligent lighting control and sensing solution. With integrated wireless communications for data transmission and remote configuration as well as autonomous fixture-level control, this sensor brings advanced lighting automation to a whole new level.

## FEATURES AND BENEFITS

**WESTGATE Fixture Sensor DLC:** Meet DLC 5.1 Networked Lighting Control System.

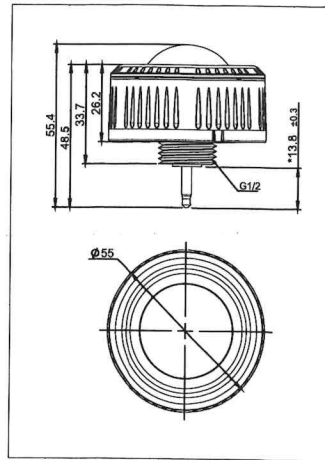
**Localized Lighting Control:** Light-level schedules, preferences, and profiles for each fixture are wirelessly communicated at system setup and stored for continuous operation.

**Bluetooth Low Energy:** An embedded BLE radio allows the sensor to receive and transmit beacons as well as support communication with lighting control devices and other sensors.

**Occupancy/Vacancy/Manual:** A PIR sensor combined with ambient with 3 difference modes as options.

**Daylight Harvesting:** Captured ambient light information is locally processed to raise and lower light levels based on available daylight.

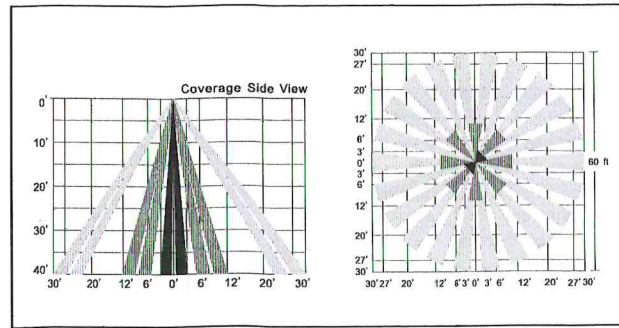
**Room and Zone Control:** Pairs with room switches for code-compliant manual-on or auto-off capability. Sensors can be grouped into zones that share occupancy sensing data and coordinate light control based on detected motion.



## TECHNICAL DATA

Motion Sensor	Passive infrared sensor
Input Power	12-24VDC, >50mA
Control Output	0-10V, max 25mA sinking current
Mounting height	40ft(12m) Max.
Detection angle	360°
Operating temperature	-20°C~60°C
IP rating	65
Wireless Standards	5.0 Bluetooth Mesh

## SENSOR COVERAGE



## ORDERING INFORMATION

WEC-3PBT-78-AJ-WH

Bluetooth Passive Infrared sensor